

Glove Box : G80 Series



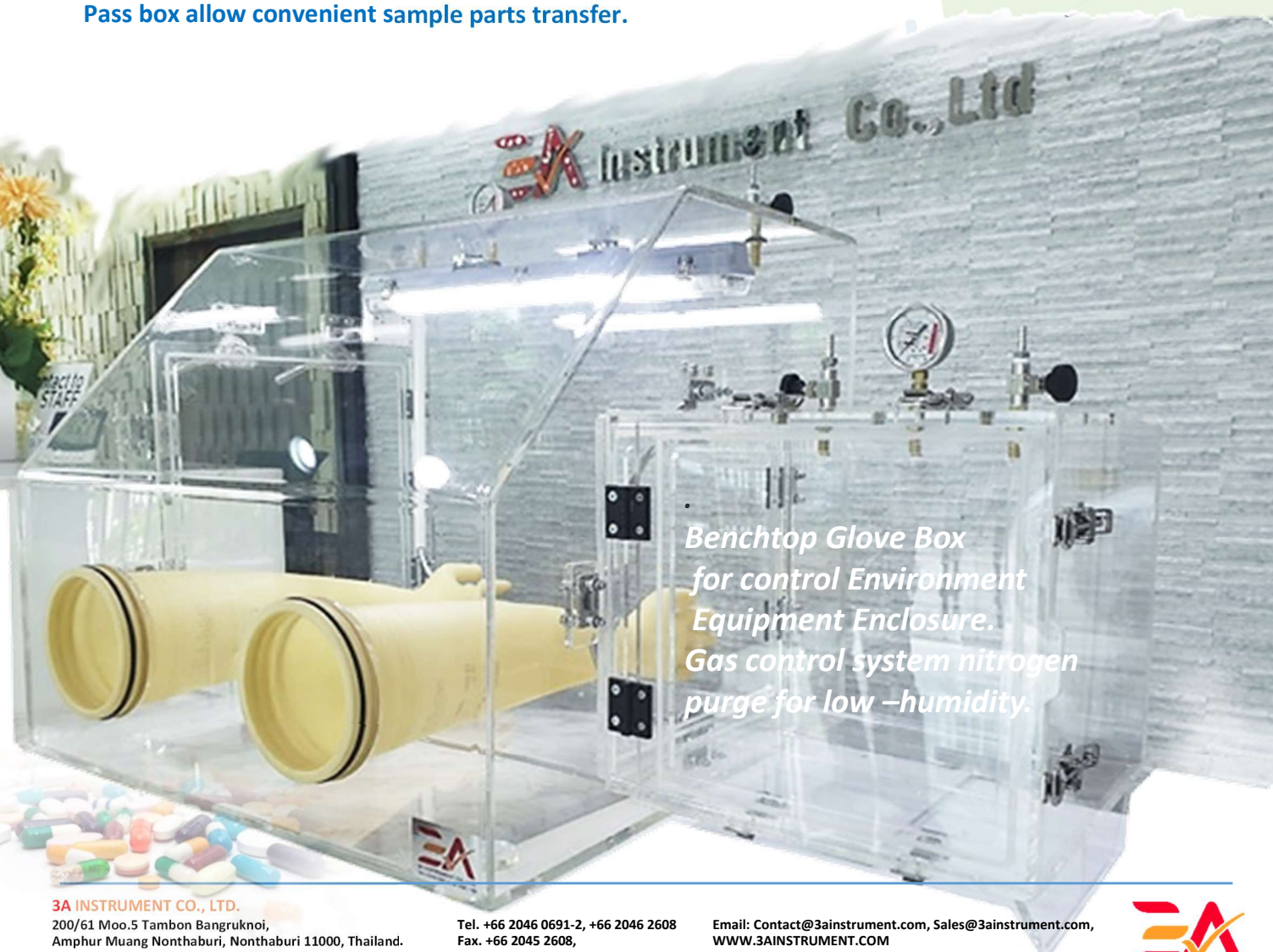
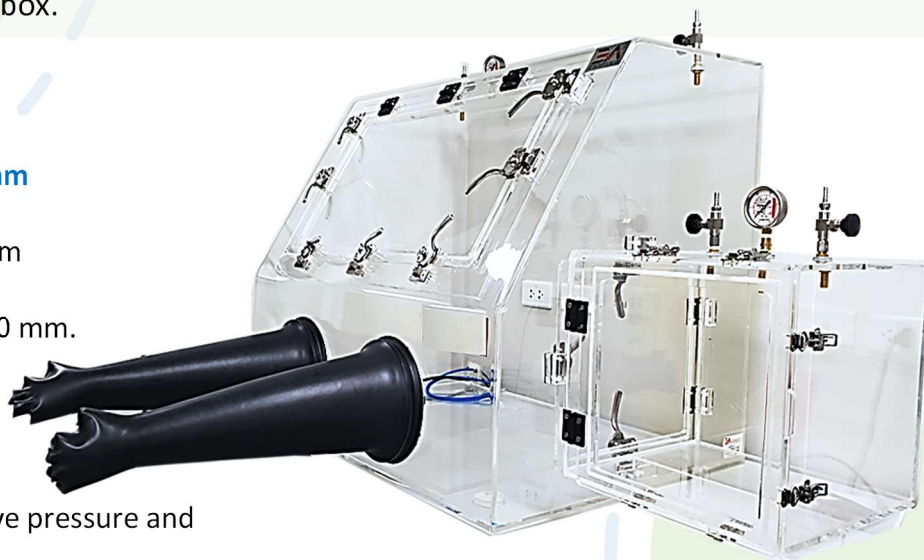
3A Instrument Co., Ltd.

for control environment with close system.

These basic compact Dry glove boxes provide low-humidity, low-oxygen Free controlled environment when used with Close system . Includes inlet-outlet gas port for inert gas condition testing . Dry Glove Box system *Glove boxes are ideal choice for laboratory testing cost system in such industries as Laboratory, Research Testing, pharmaceutical, Cosmetic, Semiconductor, Batteries, Electronic, Solar cell and University research.* tem designed for easy transfer of samples and close system for dry glove box.

Features:

- Clear Acrylic thickness 10 mm with large opening.
- Can be cleaning inside system with the inert gas port.
- Two glove port diameter 200 mm.
- Dry glove boxes provide low-humidity, controlled environment when used with Close system.
- Glove Box design for negative pressure and positive pressure testing.
- Pass box allow convenient sample parts transfer.

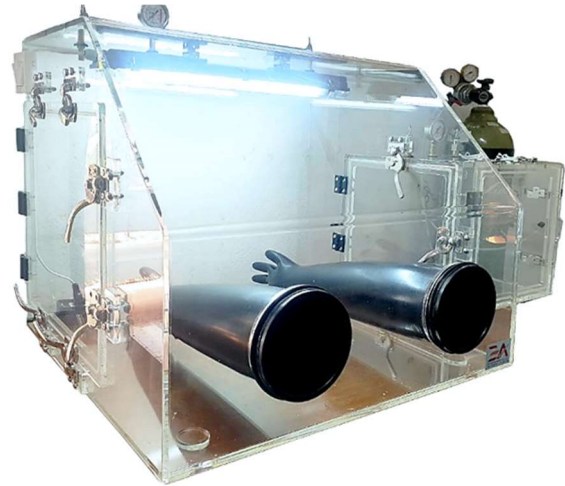


*Benchtop Glove Box
for control Environment
Equipment Enclosure.
Gas control system nitrogen
purge for low -humidity.*



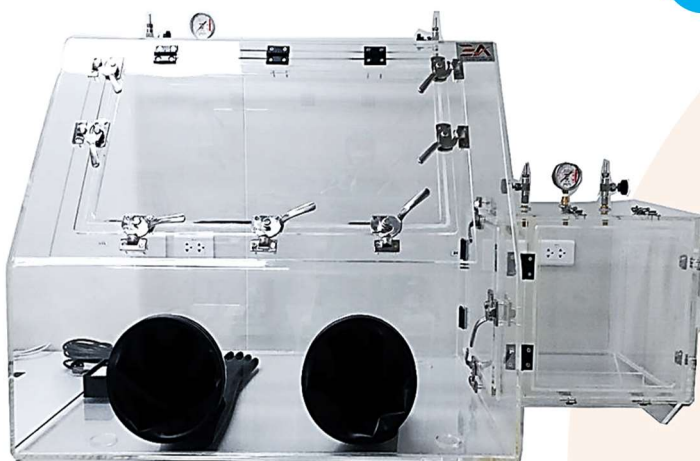
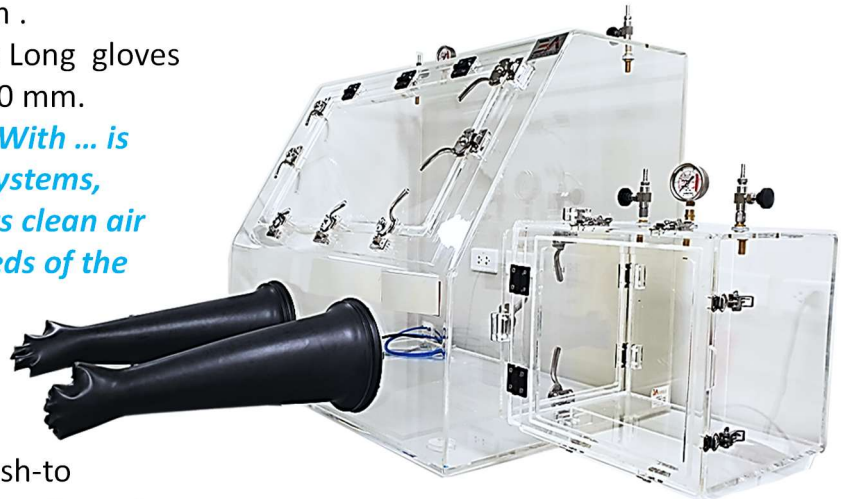
Basic Glove Box

- Dry glove boxes provide low-humidity, controlled environment when used with Close system.
- Glove Box design for negative pressure and positive pressure testing.
- Environment Equipment Enclosure for application Microscope , Balance.
- **Gas control system nitrogen purge for low -humidity**



Chamber

- Easy open and operate system .
- Glove Port ID 200 mm for use Long gloves Diameter 220 mm, Length 800 mm.
- **Gloves Box MODEL G80B-11 With ... is special system. There are 2 systems, namely the system that filters clean air (Can choose filters to the needs of the work) and automatic systems that control the temperature and humidity inside the gloves box.**
- Gas (N₂, O₂, or Ar) in port Push-to Connect fitting and gas-out bleeding valve. Flow meter for gas control system.
- Glove port with O-Ring 1 Set (2 pcs)



Pass Box

- The PASS BOX is Accessories to transfer samples into the inside glove box, with size W350 x D300 x H300 mm. Side open window.
- The 300 x 300 mm. opening allows for parts to be easily placed inside the glove box with door slide.
- **Gas (N₂, O₂, or Ar) in port Push-to Connect fitting and gas-out bleeding valve. Flow meter for gas control system.**

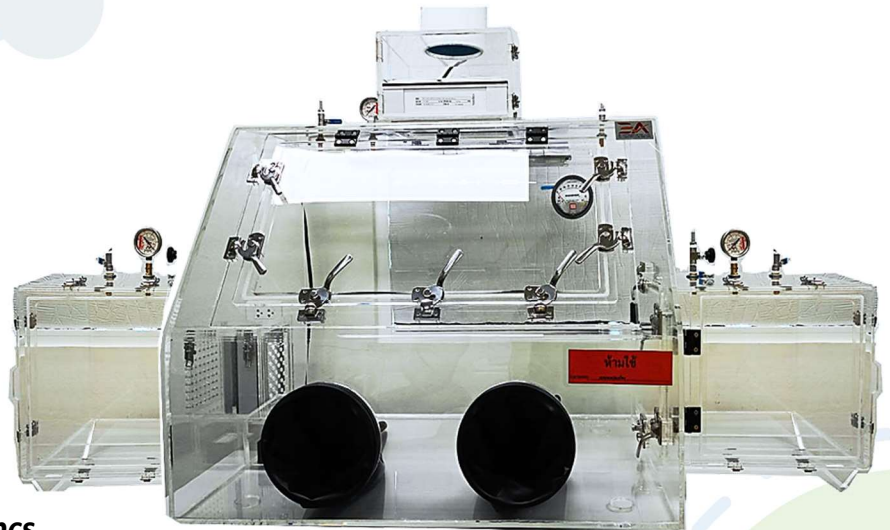
Basic Glove Box

- Dry glove boxes provide low-humidity, controlled environment when used with Close system.
- Glove Box design for negative pressure and positive pressure testing.
- Environment Equipment Enclosure for application Microscope , Balance.
- *Gas control system nitrogen purge for low –humidity*



Carbon Filter

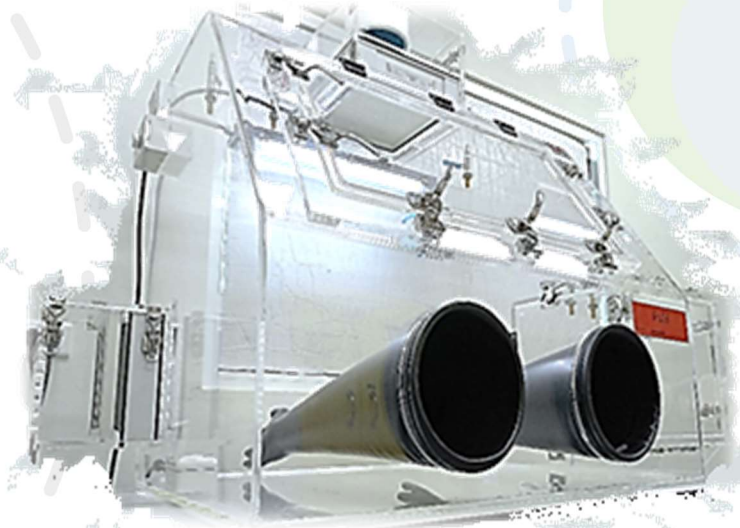
- Carbon filter with Blower Glove Box Helps prevent dust and chemicals.
- Pass Box 2 set for sample transfer :
Size : W300 x D300 mm.
- External Dimension:
W350 x D350 x H350 mm.



- Inlet/Outlet for inert gas Port 2 pcs.
- Pressure gauge 0-10 bar: 1 pcs.

Hepa Filter with Blower

- HEPA-Filtered with blower Glove Boxes have inlet and outlet HEPA filters and provide barrier to protect the operator from hazardous airborne particulates and powders.
- HEPA-Filtered air inlet with Pre Filter



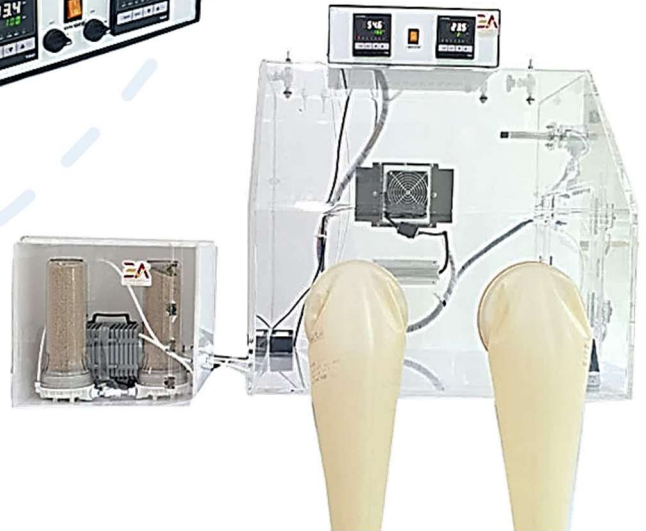
Temperature and Humidity Control

- Glove boxes provide low-humidity, controlled environment when used with Microprocessor Controller system.
- Glove Box design *Gas control system nitrogen purge for low –humidity.*
- *Detect by Temp sensor and Humidity sensor.*
- *Including De-humidity system.*



De-Humidity System

- De-humidity System for provide low-humidity with pump to draw air from chamber and through molecular sieve to absorb moisture before returning to the system inside the cabinet.
- *Designed to be easy to use, the wide cabinet has a comfortable working space.*

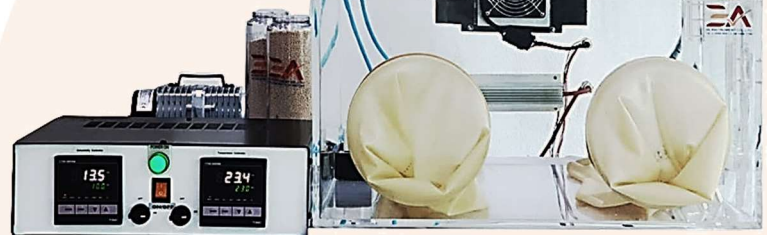
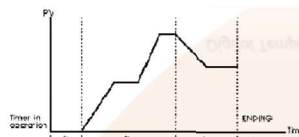


Temperature Step Control

- *Experiments that simulate different temperature conditions. The system can support up to 99 steps.*
- *Glove box provide low-humidity controlled environment when used De-humidity system .*
- *There are various materials of gloves that can be used to suit the experiment.*



Digital Temperature Controller



Specifications:

Model	G80B-00	G80B-01	G80B-11	G80B-1123	G80B-1124	G80B-1125	G80C-1127	G80C-1128
Material	Clear Acrylic							
Material Thickness (mm) :	10	10	10	10	10	10	12	12
External Dimensions (Main Chamber)	W 800 x D 700 x H 650 mm.							
UVC Lighting 15 W.	Option.							
Lighting 15 W .	Yes.							
Gas Port : for inert gas such as nitrogen, argon, air, etc. (2 pcs)	Yes.							
Analog Pressure Gauge : 0-10 bar	Yes.							
Door open big side :	-	-	W 600 x D 300 mm.					
Side Door right open :	Yes.	Yes.	-	-	-	-	-	-
Glove Port Diametion (2 pcs) :	ID 200 mm.							
Pass Box for sample transfer : - Size : W300 x D300 x H300 mm - Inlet/Outlet Gas Port , 2 pcs - Analog Pressure 0-1 bar, 1 pcs	-	Yes.	Yes.	Yes.	Yes.	Yes.	Yes.	Yes.
Carbon Filter with Blower	-	-	-	Yes.	-	-	-	-
Hepa Filter with Blower	-	-	-	-	Yes.	-	-	-
Auto Dry for low humidity	-	-	-	-	-	Yes.	-	-
Temperature & Dehumidity Control - Thermoelectric Cooler - Anti-Condensation Heater - Dehumidifier	-	-	-	-	-	-	Yes.	-
Programmable process Controller - Control Temperature step - Dehumidity Control	-	-	-	-	-	-	-	Yes 99 step Yes
Power Socket : 220V,50-60 Hz,	Yes. (2 Channel.)							
Gloves: Port ID 220 mm,Length 800 mm	Yes. (Options) Material : Natural Rubber /Neoprene/CSM/BHP/PUR/EPDM							

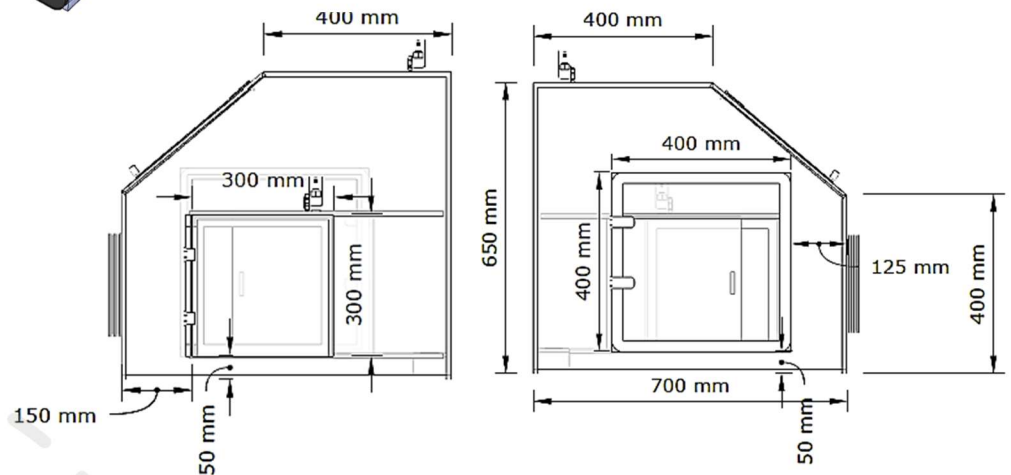
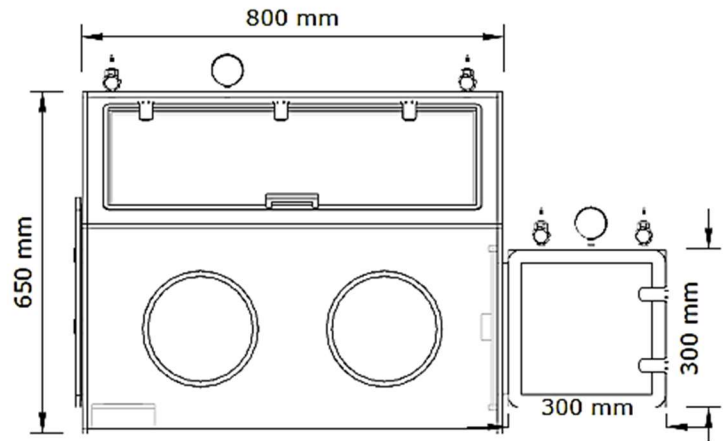
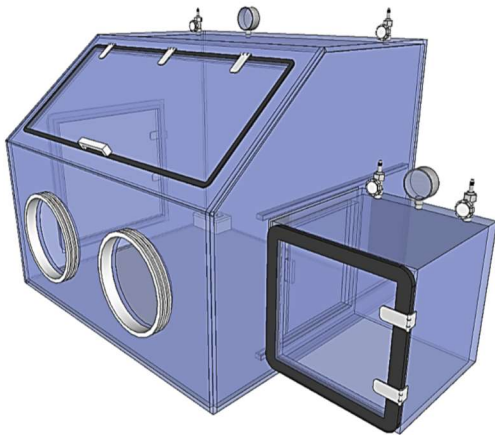


Drawing dimensions



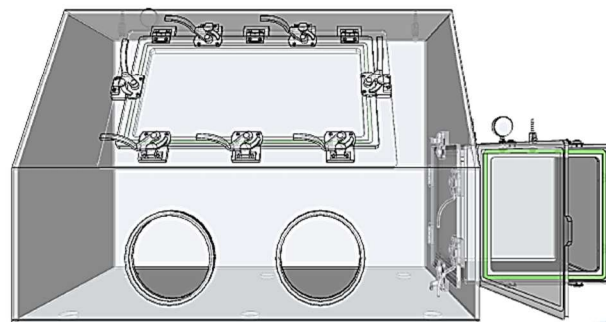
3A Instrument Co., Ltd.

Easy Maintenance and Testing



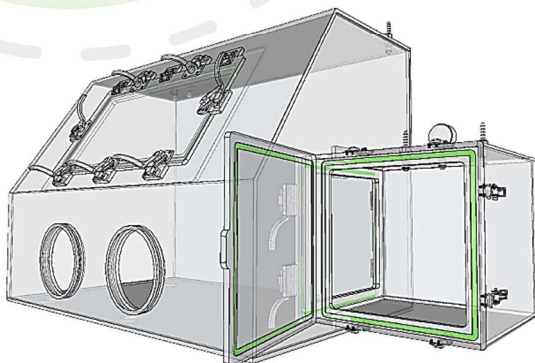
Main Chamber

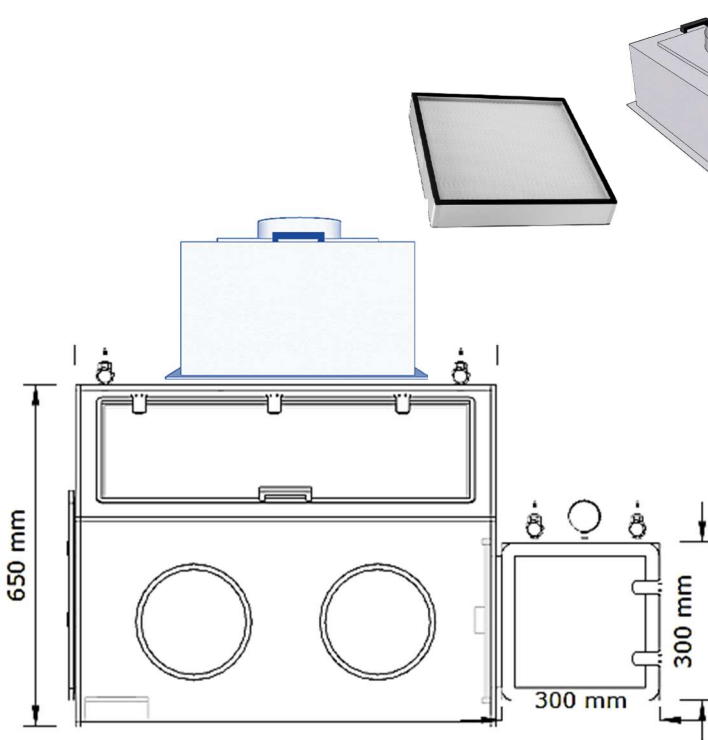
- External Chamber Dimension:
W 800 x D 700 x H 650 mm.
- Main Chamber: Clear Acrylic
- Thickness: 10 mm.
- Open Door internal Dimension:
W600 x D300 mm.



Gas port

- Inlet / Outlet gas port for inert gas Ar_2 , N_2 .
- Needle Valve Stainless Valve.





Hepa/Carbon Filter

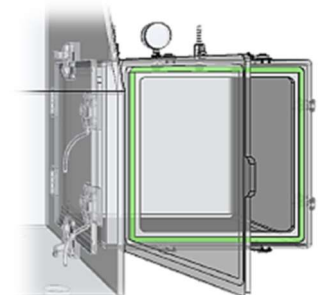
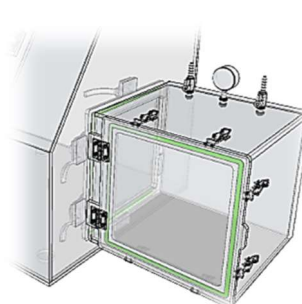
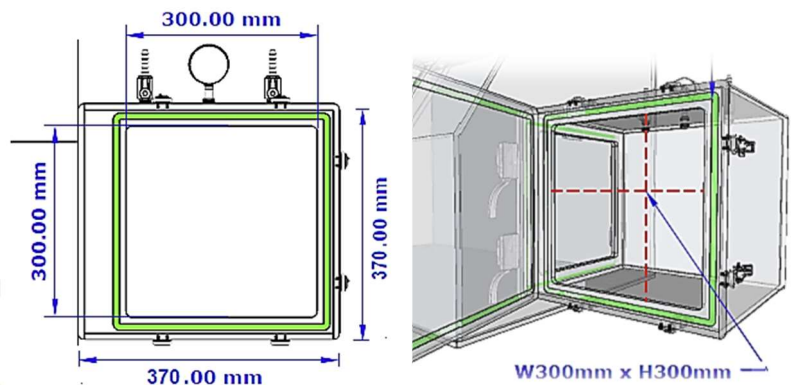
- **HEPA-Filtered with blower Glove Boxes** have inlet and outlet HEPA filters and provide barrier to protect the operator from hazardous airborne particulates and powders.
- **Carbon filter with Blower Glove Box** Helps prevent dust and chemicals.



Pass Box Transfer sample

Pass Box

- **Open Door internal Clear Acrylic:** W250 x D250 mm.
- **External Dimension:** W300 x D300 x H300 mm.
- Inlet/Outlet for inert gas Port 2 pcs.
- Pressure gauge 0-10 bar: 1 pcs.





Stainless Needle Valve



Molecular sieve



Humidity Temperature Datalogger

Temp/Humidity Data logger



POM Glove Port

POM Glove Port



Long Gloves/ PIERCAN



Oil Free Laboratory Chemical Resistant Vacuum

Vacuum Pump



Ball Valve stainless steel

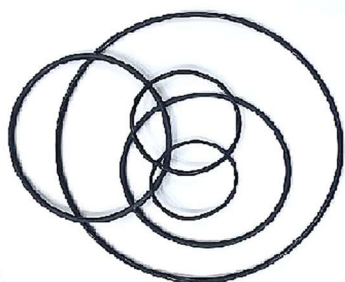


Ball Valve stainless steel

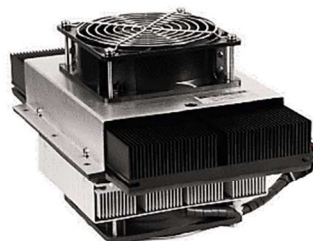


Vacuubrand MZ 2C NT 1.2CFM Chemistry Diaphragm Pump 110V - Chemical Resistance

Vacuum Chemical diaphragm



EPDM O-ring



Air to air thermoelectric Cooler

Thermoelectric cooler



Digital Temperature Controller

Digital Controller

Technical Dry Gloves for Glove Box

Technical Material gloves for all industrial and laboratory testing.



PIERCAN Glove is high quality product form France. The range of gloves that PIERCAN offers is very wide, comprising dry box gloves, sleeve, and isolator glove.



CSM

Chlorosulfonated Polyethylene glove (CSM).

- Resistance to ozone, UV and Sterilizing agents (VHP*).
- Excellent mechanical properties.
- Resistance to ionizing radiation and sterilizing process (Gamma and Beta Radiation).

VHP* (Vaporous hydrogen peroxide)



Black EPDM

Ethylene Propylene Diene Monomer glove.

- Antistatic
- Excellent Flexibility and dexterity.
- Excellent chemical properties, good mechanical properties.
- Composition in accordance with the FDA positive list (CFR 21 § 177. 2600).
- Resistance to AUTOCLAVE, GAMMA & VHP Sterilization 75 cycles of 30 minutes at 121 °C.



Natural Rubber

Natural rubber glove (polyisoprene)

- Excellent flexibility and dexterity
- Good resistance to alcohols, reducing acids and diluted bases.

DRY GLOVE

for the Pharmaceutical and Cosmetics manufacturing.



Neoprene

Polychloroprene glove

- Good mechanical properties.
- Good general resistance to chemical products.
- Very good resistance to sterilisation agents (hydrogen peroxide) and radiation sterilisation (Gamma and Beta rays).
- Good technical and cost-effective compromise
- Self- extinguishing.



POLYURETHANE

POLYURETHANE glove

- Excellent mechanical properties (punctures, tears, abrasion)
- Highly resistant to ozone and UV rays



POLYURETHANE / CSM

Two layer polyurethane and chlorosulfonated polyethylene glove.

- A glove that combines mechanical properties (polyurethane) with chemical resistance (CSM)
- Good resistance to chemical sterilising agents (CSM side)
- High resistance to ozone and UV. Good resistance to ionising radiation.
- Excellent resistance to disinfectants.



High Butyl Properties

Polyisoprene isobutylene glove.

- Electrostatic dissipative glove in accordance with EN 16350.
- Highly impermeable to liquids and gases
- Good ability to withstand chemical products
- Highly resistant to ozone and UV rays
- Good flexibility and dexterity
- Antistatic (compliant with European standard EN 16350-2014)

